


# GENERO<sup>®</sup>


## Precision Bimetal Band Saw Blade for Efficient Wood Cutting



 Hook tooth

 Wood

Band width 27 × 0.90 – 41 × 1.10 mm

 Band width 1-1/16 × 0,035 – 1-5/8 × 0,042  
Inch

## Product Information

### GENERO<sup>®</sup> – Precision Bimetal Band Saw Blade for Efficient Wood Cutting

With GENERO<sup>®</sup>, WIKUS sets new standards in wood cutting band saw blades and presents a versatile tool for sawing trunk wood on mobile and stationary sawmills.

Thanks to the ultra-modern and innovative production, GENERO<sup>®</sup> guarantees outstanding product features and an impressive service life suitable for a wide range of applications. The high level of process reliability helps to reduce set-up times and the costs per cut. The hardened high-speed steel (HSS) used for the teeth of the band saw blade makes this product resistant to foreign bodies such as stones and metal on or in the wood.

The high-precision setting ensures a perfectly straight cutting channel.

The tooth base, which is rounded using a coordinated blasting process, ensures high endurance properties even with high torsion of the band or higher cutting speeds.

## Areas of Application

### Applications:

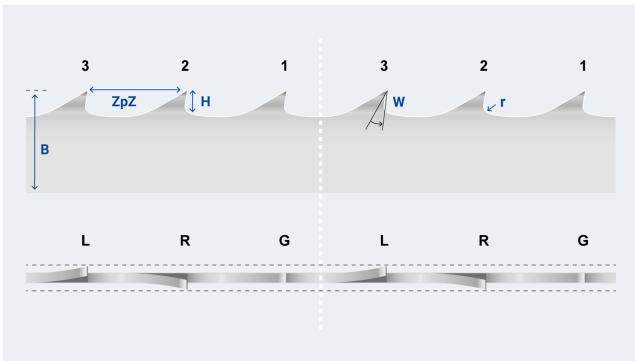
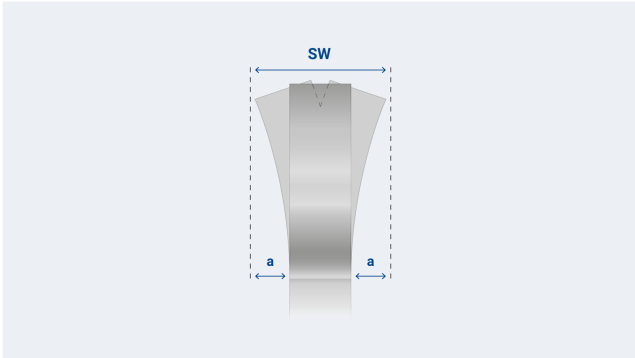
- Mobile and stationary sawmills
- Cutting logs into beams and boards

### Advantages:

- High productivity and flexible use with different types of wood
- The HSS tooth offers superior hardness, long service life, and insensitivity to foreign materials and metal
- High resistance to fatigue and torsional stresses
- Optimized band surface for smooth running, reduced wear on the band guides, and low resistance in the wood
- Good cutting surface thanks to high-precision setting of the teeth

### Features:

- Can be resharpened several times
- Constant tooth pitch
- Rounded tooth base for high endurance properties and less resin adhesion as well as good chip removal



B = band width, tpi = teeth per inch, H = tooth height,  
W = cutting angle, r = radius, L = left, R = right, G =  
straight

## Technical Data

Dimensions		Tooth pitch in tpi	
Width x thickness			
mm	Inch	13mm (2 Tpi)	22mm (1.15 Tpi)
27 x 0.90	1-1/16 x 0.035		K
34 x 0.90	1-3/8 x 0.035	K	K
34 x 1.10	1-3/8 x 0.042		K
41 x 1.10	1-5/8 x 0.042		K

## Material Overview



### Material Overview

- Hardwood such as oak, ash and beech or frozen wood
- Softwood such as larch, spruce, and pine
- Wood with metal inclusions or heavily soiled tree bark