

MACHINE MODEL

KS 802 NC

Semiautomatic bandsaw with automatic bow rotation

Short description

KS 802 NC is a semiautomatic double column bandsaw suitable to cut pipes, tubes, bars and solid up to 60° on left and right. The machine has the automatic rotation of the sawfram managed by CNC, making it the ideal working tool for batch production and professional applications.



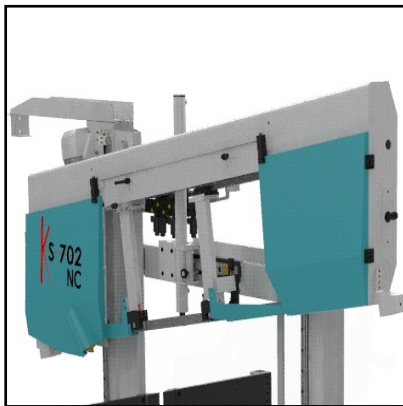
Cutting capacity at 0°	Round: 680mm - Square: 640mm - Rectangular: 820x610mm
Cutting capacity at 45° left	Round: 550mm - Square: 550mm - Rectangular: 550x600mm
Cutting capacity at 45° right	Round: 550mm - Square: 550mm - Rectangular: 550x580mm
Cutting capacity at 60° left	Round: 370mm - Square: 370mm - Rectangular: 370x600mm
Cutting capacity at 60° right	Round: 370mm - Square: 370mm - Rectangular: 370x450mm
Cutting capacity with bundle device	Max: 800x320mm - Min: 50x50mm
Cutting capacity at 0° solids (C45)	350mm
Blade size	7260x41x1.3mm
Canted blade	5°
Blade motor	5.5KW
Blade speed	15/100m/min
Coolant tank capacity	3l
Hydraulic unit tank capacity	50l
Working table height	800mm
Size - Weight	2050x3600x2700mm - 3200kg

Features



10" Touch screen display

KS 802 NC has an easy and intuitive interface dedicate to optimize the user-experience: thanks the CNC system, 10" touch screen display the user can manage all the machine operative function, set up 99 cutting program and multiple cutting length on the same bar, set the number of feeder stroke, the number of pieces and blade speed. It's also possible to do an autodiagnostic to detect errors.



Rigid sawafame

KS 802 NC has big size, electrowelded bow with rigid structure and big thickness. The massive structure helps reduce any vibration, binding or slowing during the cutting process, saving sawblade life and durability. High cutting performances even on the biggest sections and full materials are provided by the 5° canted blade with 2000kg/cm² blade tension.



Sawframe rotation

The machine has an automatic sawframe rotation system managed by toothed belt and motor reducer. Positioning precision is provided by an hydraulic cylinder to stop the rotation.



Lowering speed display

KS 802 NC lowering sawframe speed can be set, managed and view thanks to the LCD display on the panel control.



sawing technology

Addison Saws Ltd
01384 264950
sales@addisonsaws.co.uk
www.addisonsaws.co.uk

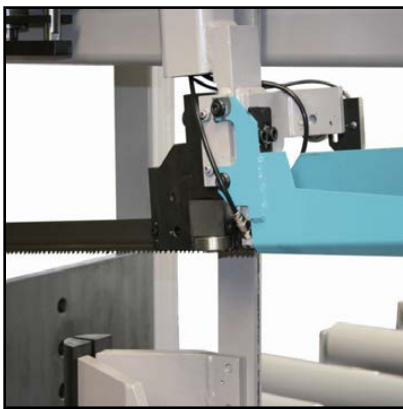
Addison

KS 802 NC



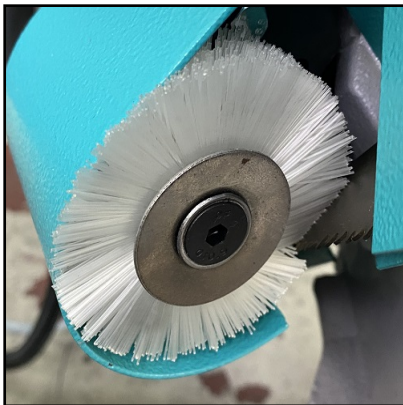
Canted blade

The 5° canted blade provides for an optimal band penetration in the material while cutting and helps reducing vibration, binding and slowdown during the process, increasing the cutting performances, saving the blade life, even when cutting solids material or big section. It's present a switch that keeps an high blade tension to reduce the string while working.



Blade guides

The machine has a mobile blade guide, automatically kept in contact to the cutting point with a gas piston



Blade cleaning

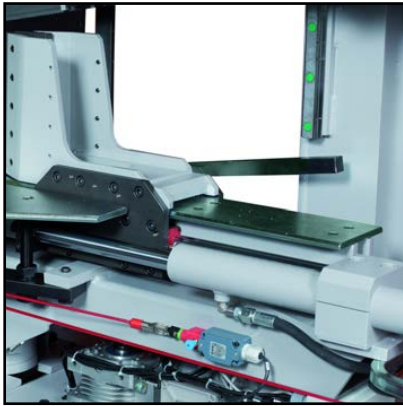
All the semiautomatic and automatic IMET bandsaws are equipped with a mechanical cleaning brush with nylon fibers that helps to remove residuals and remainings while cutting.



Washing gun

OPTIONAL

Premium Line automatic bandsaws and semiautomatic and automatic Maxi Line bandsaws are standardly equipped with a washing gun dedicated to keep clean the working area and remove any residuals and remainings, allowing to keep the highest efficiency of the machine.



User safety

Provided as standard on all the KS NC models, it's present a user safety system through a wire: in the event of an obstacle detection or in case of any problem while working, the system automatically stops the process.



Minimal lubrication system

The machine has a standard minimal lubrication system in kit with 2 nozzle and 3 l tank capacity. The minimal lubrication standard avoids the dispersion of refrigerant liquid typical in the use of emulsifiable oil, the life of the blade is not in any way affected.



Blade deviation control (Optional)

OPTIONAL

Blade deviation control with automatic stop of the working process in case of damages.



Laser ray (Optional)

OPTIONAL

To ease the working process, it's possibile to require di special laser ray that points the cutting line on the material before starting to operate.

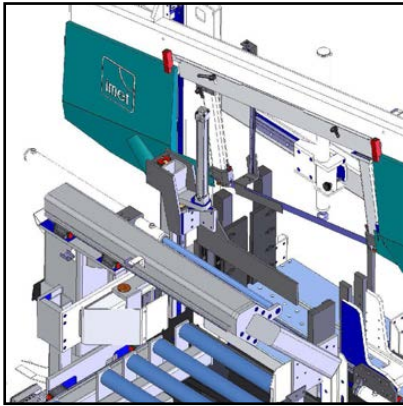


sawing technology

Addison Saws Ltd
01384 264950
sales@addisonsaws.co.uk
www.addisonsaws.co.uk

Addison

KS 802 NC



Bundle cutting device (Optional)

OPTIONAL

Hydraulic bundle cutting device. Maximum cutting capacity with bundle is: 800x320mm, capacità minima 50x50mm.



Loading/Unloading roller table (Optional)

OPTIONAL

Loading and unloading roller table with free rolls and 2 vertical containment rolls. Single module length 2m



Motorized roller table (Optional)

OPTIONAL

Motorized roller table preset for motorization with chain transmission and pinions. Element quoted on linear meter.



Motorization system (Optional)

OPTIONAL

Motorization system preset for motorization. Recommended every 6m length. Max speed 10m/min



sawing technology

Addison Saws Ltd
01384 264950
sales@addisonsaws.co.uk
www.addisonsaws.co.uk

Addison

KS 802 NC



CNC motorized measurement length stop (Optional)

OPTIONAL

CNC motorized measurement length stop with fast approaching and automatic slowdown of the piece. To be ordered together with RTR motorized roller table. - RR6S measurement length 6m -RR9S measurement length 9m -RR12S measurement length 12m



Containment vertical rolls (Optional)

OPTIONAL

Pair of vertical containment rolls made in steel. Max 2 pairs every 1.5m