

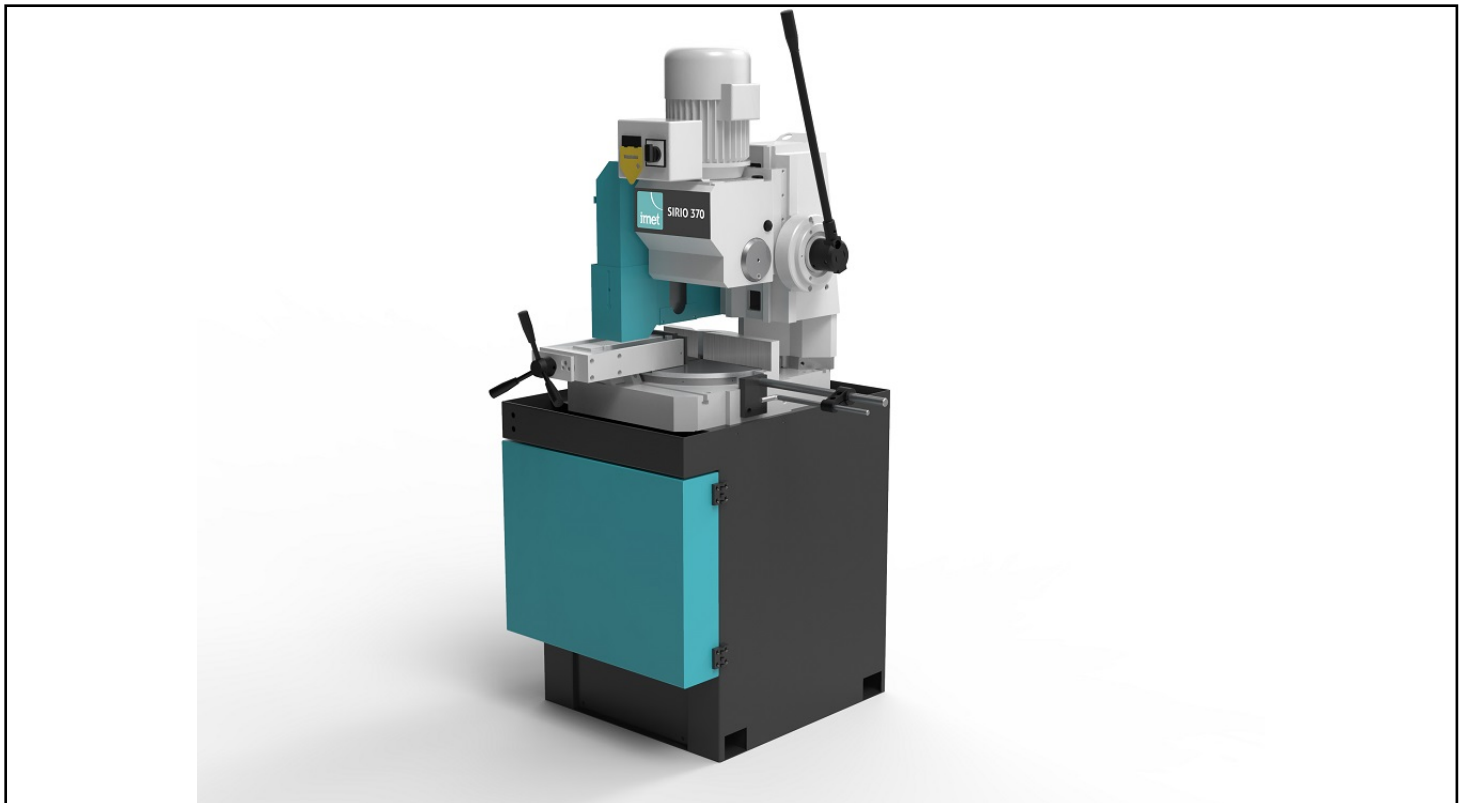
MACHINE MODEL

# SIRIO 370

## Heavy duty manual vertical saw

Short description

SIRIO 370 is a manual circular saw with vertical descent ideal professional working tool to cut steel profiles and high resistance steels. The machine cuts from 0 ° to 45 ° right and from 0 ° to 60 ° left and has a rigid vertical structure structure which guarantees great stability, avoiding vibrations while cutting to give the best performances.



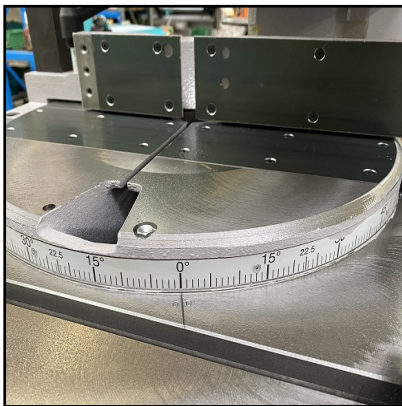
Cutting capacity at 0°	Round: 120mm - Square: 100mm - Rectangular: 180x100mm
Cutting capacity at 45° left	Round: 120mm - Square: 100mm - Rectangular: 130x100mm
Cutting capacity at 45° right	Round: 105mm - Square: 100mm - Rectangular: 130x100mm
Cutting capacity at 60° left	Round: 110mm - Square: 90mm - Rectangular: 90x100mm
Cutting capacity (suggested for solids)	Round: 80mm
Blade size	Diam.: 370mm
Blade hole	40mm
Blade speed	15/30 rpm
Blade speed with inverter	15/70 rpm
Blade motor power	1.5/2.2 KW
Worktable height	925mm
Dimensions	810x1020x1850mm
Weight	390kg

## Features



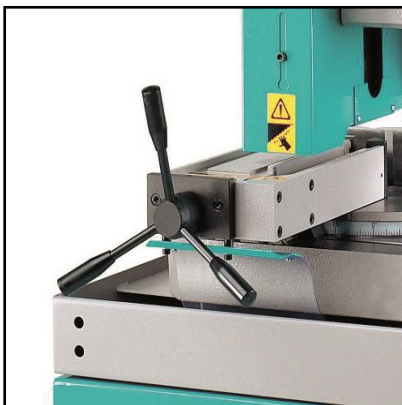
### Structure

SIRIO 370 is a manual sawing machine and performs vertical cuts with circular blade. The SIRIO models have high structural stability to reduce vibrations and movements of the miter saw when cutting. The rigid vertical structure is in cast iron with a large surface of contact between the machine head and the structure to ensure even more solidity when in use



### Cutting precision

SIRIO 370 is equipped with a system with adjustable stops at 0 ° and 45 °, adjustable bar stop and graduated scale for other angles and maximum positioning precision.



### Vice

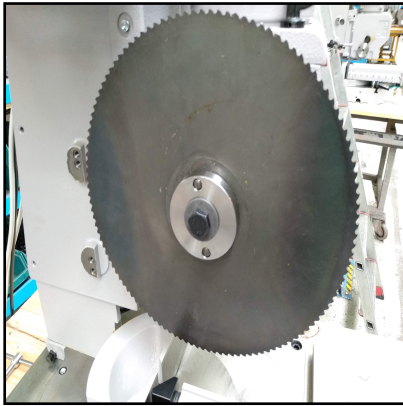
All SIRIO disc cutting-off machines are equipped with the rapid transverse movement of the front vice as standard for positioning and quick locking on the work surface.



### Pneumatic vice (Optional)

OPTIONAL

PNEUMATIC VICE (OPENING/CLOSING SYNCHRONISED WITH THE HEAD MOTION)



## Blade (Optional)

OPTIONAL

SIRIO 370 can mount blade 370X3X40



## Blade speed (Optional)

OPTIONAL

The standard blade speed is 15 / 30rpm and it is possible to double it at 30 / 60rpm; matching the speed doubled the inverter speed variator, it is possible to request a speed of 30/140 rpm.



## Minimal lubrication system (Optional)

OPTIONAL

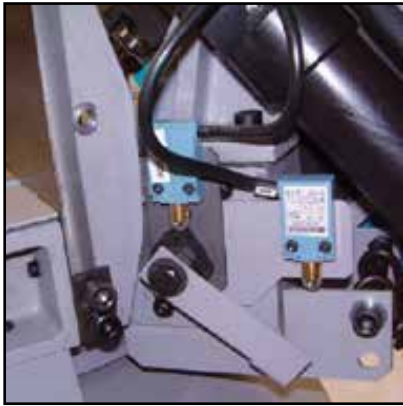
The lubrication system cancels the dispersion of the coolant without damaging or affecting the life of the blade. The system is equipped with a 1.3l tank and nozzle.



## V jaws (Optional)

OPTIONAL

Two pairs of cast iron V jaws to fittings bundles and round bars (max diameter 85 mm.) with tools to mount them



**Adapter to synchronize the RTD/RTP and Sirio(Adapter) OPTIONAL**

Adapter to synchronize the RTD/RTP table and the head motion



**Connection for tables (Optional) OPTIONAL**

Connection for loading/unloading table



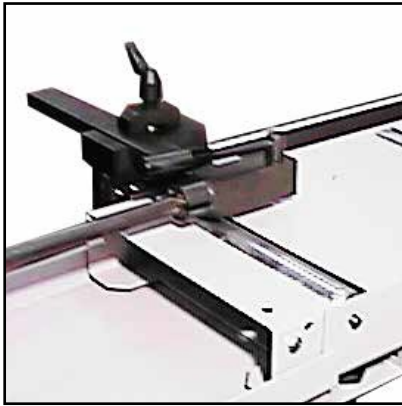
**Loading/Unloading roller tables 1st unit (Optional) OPTIONAL**

1st unit of roller conveyor compatible for both the loading and unloading sides.  
Length 2m, loading capacity 700kg.



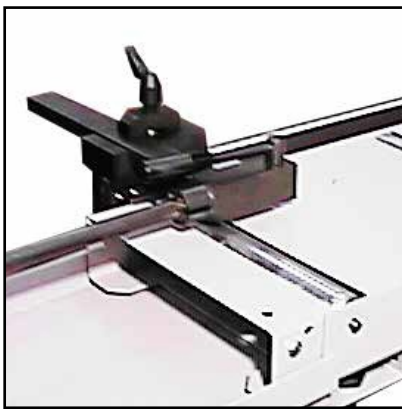
**Loading/Unloading roller tables follow.unit (Optional) OPTIONAL**

Following unit of roller conveyor compatible for both the loading and unloading sides. Length:2m, loading capacity:600kg.



**Unloading roller table with metric rod 1st unit (Optional) OPTIONAL**

1° unit of roller conveyor (unloading side) with metric rod and length stop. Length: 2m, loading capacity 700kg.



**Unloading roller table with metric rod follow. unit (Optional) OPTIONAL**

Following unit of roller conveyor (unloading side) with metric rod and length stop. Length: 2m, loading capacity 600kg.



**Unloading table with digital reading and manual positioning (Optional) OPTIONAL**

Unloading table with digital reading and manual positioning, you can choose lengths of 2mt., 4mt., 6mt., 8mt., 10mt., 12mt.....



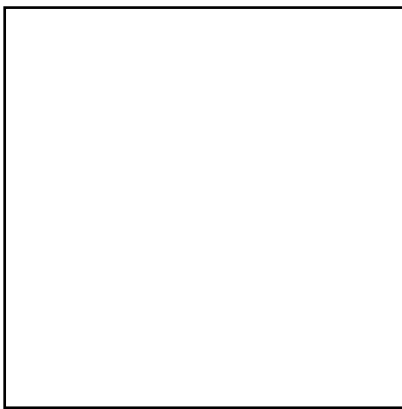
**Unloading roller table with length stop (optional) OPTIONAL**

Unloading roller table with length stop and selection of the lengths by means of a keyboard Available: -RTP3W30: Measuring length of 3m, 3 pedestals, max loading 3000kg; -RTP6w30: Measuring length of 6m, 5 pedestals, max loading 6000kg. etc..



**Unloading roller table with digital reading and manual** **OPTIONAL**

Unloading roller table with digital reading and manual movement. Available : -  
RTL3W30 Measuring length of 3m, 3 pedestals, max loading 3000kg; -RTL6KW30  
Measuring length of 6m, 5 pedestals, max loading 6000kg. etc..



**Vertical rollers(Optional)** **OPTIONAL**

Pair of containment vertical rollers 300 mm made in steel, max 2 pairs for each  
element 2 m long; to use without rollers cover (only for RTS) (not available  
together with RV-W30)



**V rollers (Optional)** **OPTIONAL**

Pairs of V rollers made in steel for tubes, max 6 pairs per each element 2 m long,  
to be used on machines with V jaws, without rollers cover (only for RTS) (not  
available together with RI-W30) Pair of containment vertical rollers 300 mm made  
in steel, max 2 pairs for each element