

MACHINE MODEL

# SIRIO 370 SH-E

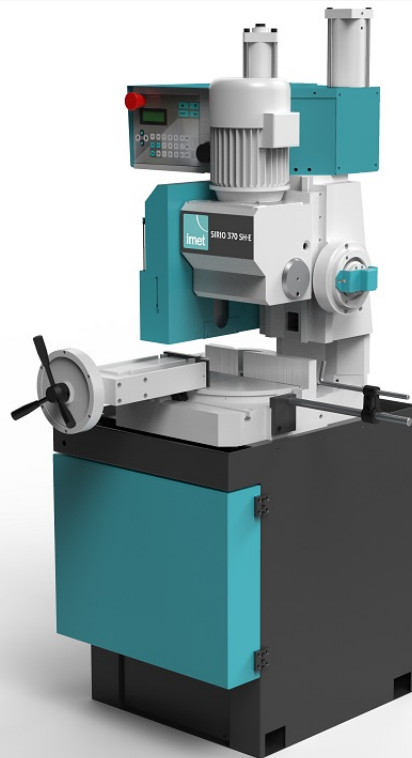
Heavy duty semiautomatic vertical saw

Short description

SIRIO 370 is the semi-automatic vertical miter saw for cutting solids and steel profiles also with high resistance; by applying the ESC speed variator, the range of materials go from steel to stainless steel and light alloys. The machine can cut from 0 ° to 45 ° right and from 0 ° to 60 ° left.



Scan the video



Dimensions	810x1080x2100mm
Weight	443kg
Cutting capacity at 0°	Round: 120mm - Square: 100mm - Rectangular: 180x100mm
Cutting capacity at 45° left	Round: 120mm - Square: 100mm - Rectangular: 0x100mm
Cutting capacity at 45° right	Round: 105mm - Square: 100mm - Rectangular: 0x100mm
Cutting capacity at 60° left	Round: 110mm - Square: 90mm - Rectangular: x100mm
Cutting capacity (for solids)	Round: 0°: 80mm
Blade dimensions	Diam.: 370mm
Blade hole	40mm
Blade speed	15/70 rpm
Blade motor power	3KW
Working table height	925mm

## Features



### Structure

The SIRIO models have high structural stability to reduce vibrations and movements of the miter saw when cutting. The rigid vertical structure is in cast iron with a large surface of contact between the machine head and the structure to ensure even more solidity when in use



### Cutting precision

SIRIO is equipped with a system with adjustable stops at 0 ° and 45 °, adjustable bar stop and graduated scale for other angles and maximum positioning precision.



### SH-E version

SIRIO 370 SH-E is a semi-automatic machine with electro-pneumatic operation and hydraulic control. Programming of the operator parameters and management of the cut are made by the control panel.



### Pneumatic vice

The semi-automatic disc cutting-off machines Sirio are fitted as standard with the pneumatic front vice with material locking and transversal movement on the work surface.



### Device to synchronize the RTD/RTP table and the head motion

Device to synchronize the RTD/RTP table and the head motion



### Blade (Optional)

OPTIONAL

Sirio 370 mount a blade 370X3X40



### V JAWS (Optional)

OPTIONAL

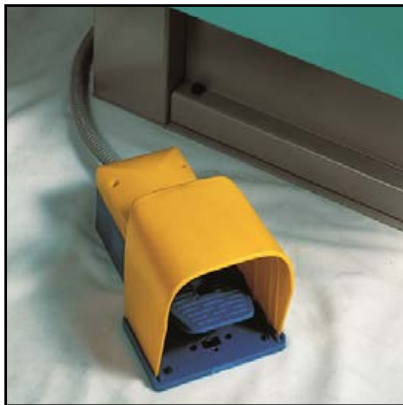
Two pairs of cast iron V jaws to fittings bundles and round bars (max diameter 85 mm.) with tools to mount them



### Minimal lubrication system (Optional)

OPTIONAL

The lubrication system cancels the dispersion of the coolant without damaging or affecting the life of the blade. The system is equipped with a 1.3l tank and nozzle.



**Foot pedal (Optional)**

**OPTIONAL**

FOOT PEDAL+CABLE 3M + PLUG



**Connection for tables (Optional)**

**OPTIONAL**

Connection for loading/unloading table



**Loading/Unloading roller tables 1st unit (Optional)**

**OPTIONAL**

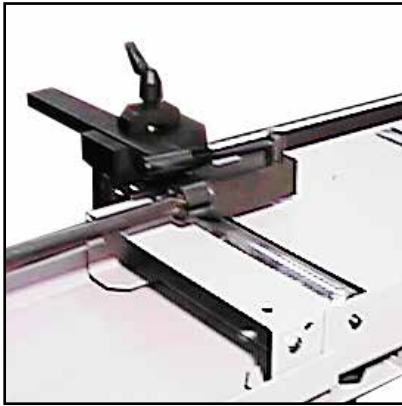
1st unit of roller conveyor compatible for both the loading and unloading sides.  
Length 2m, loading capacity 700kg.



**Loading/Unloading roller tables follow-up unit (Optional)**

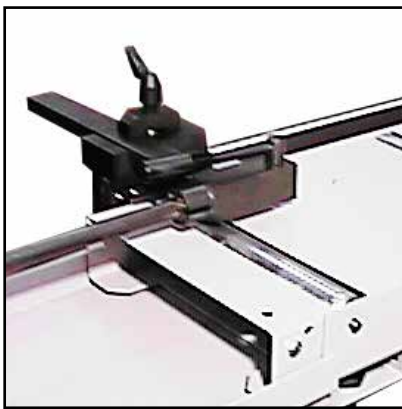
**OPTIONAL**

Following unit of roller conveyor compatible for both the loading and unloading sides. Length:2m, loading capacity:600kg.



**Unloading roller table with metric rod 1st unit (Optional) OPTIONAL**

1° unit of roller conveyor (unloading side) with metric rod and length stop. Length: 2m, loading capacity 700kg.



**Unloading roller table with metric rod follow.unit (Optional) OPTIONAL**

Following unit of roller conveyor (unloading side) with metric rod and length stop. Length: 2m, loading capacity 600kg.



**Unloading table with digital reading and manual positioning (Optional) OPTIONAL**

Unloading table with digital reading and manual positioning, you can choose lengths of 2mt., 4mt., 6mt., 8mt., 10mt., 12mt.....



**Unloading roller table with length stop (optional) OPTIONAL**

Unloading roller table with length stop and selection of the lengths by means of a keyboard Available: -RTP3W30: Measuring length of 3m, 3 pedestals, max loading 3000kg; -RTP6w30: Measuring length of 6m, 5 pedestals, max loading 6000kg. etc..



**Unloading roller table with digital reading and manual** **OPTIONAL**

Unloading roller table with digital reading and manual movement. Available : n -RTL3W30 Measuring length of 3m, 3 pedestals, max loading 3000kg; -RTL6KW30 Measuring length of 6m, 5 pedestals, max loading 6000kg. etc..



**Vertical rollers(Optional)** **OPTIONAL**

Pair of containment vertical rollers 300 mm made in steel, max 2 pairs for each element 2 m long; to use without rollers cover (only for RTS) (not available together with RV-W30)



**V rollers (Optional)** **OPTIONAL**

Pairs of V rollers made in steel for tubes, max 6 pairs per each element 2 m long, to be used on machines with V jaws, without rollers cover (only for RTS) (not available together with RI-W30) Pair of containment vertical rollers 300 mm made in steel, max 2 pairs for each element