

www.everising.com

EVERISING
V-0625HA

EVERISING

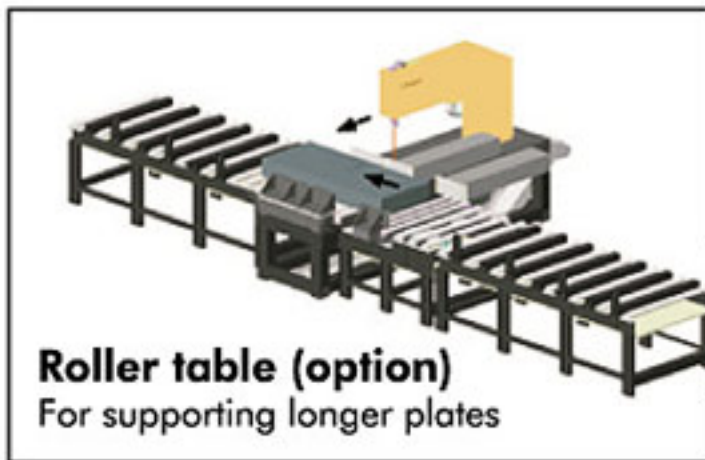
V, VB, VBS series →
Vertical Block / Plate Band Saw

ISO9001 

EVERISING MACHINE CO.

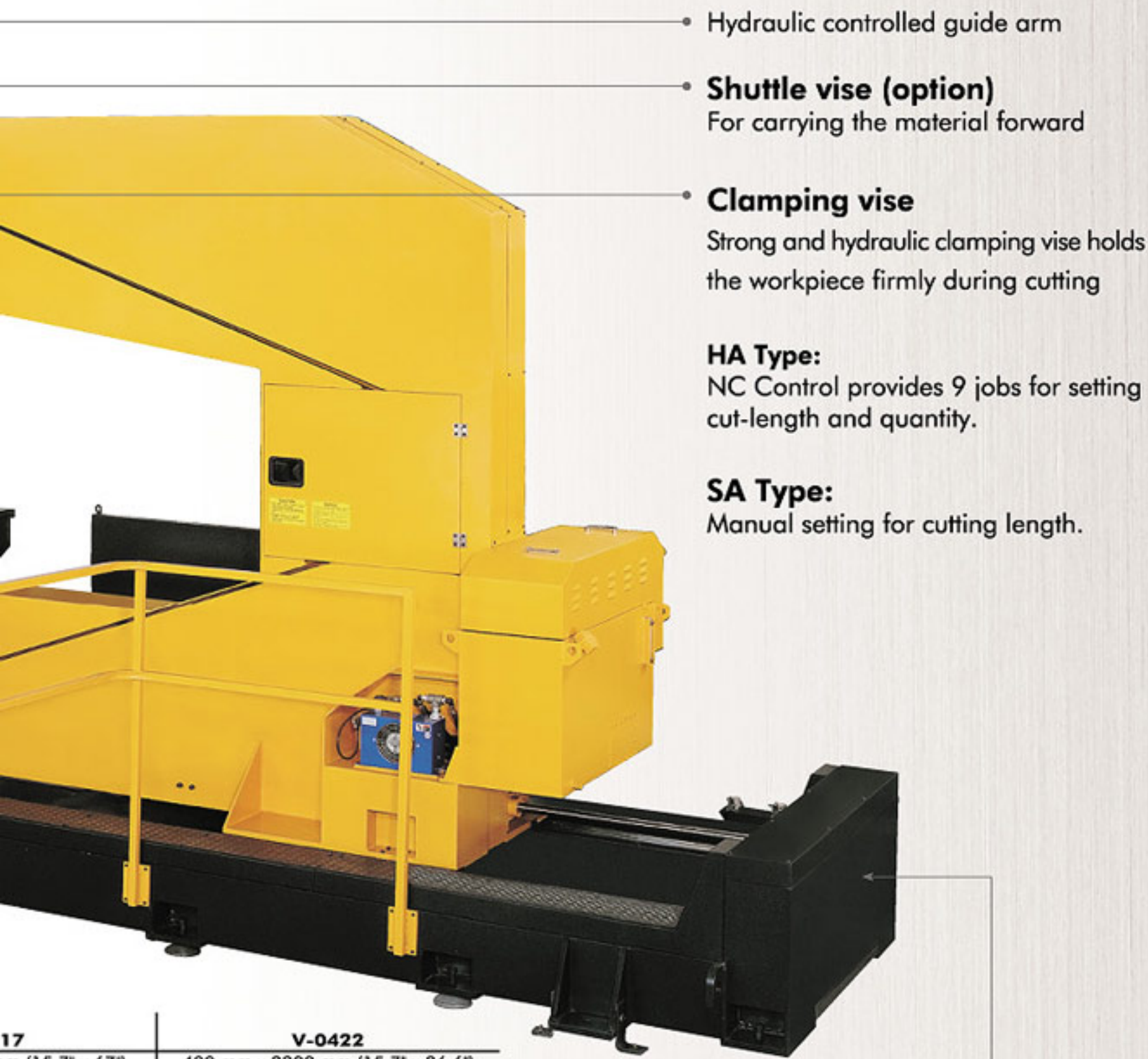
VERTICAL BLOCK / PLATE

Band Saw



Model	V-0615	V-0625	V-0640
Cutting capacity (H x D)	600 mm x 1500 mm (23.6" x 59") min. clamp width 500mm (19.6")	600 mm x 2500 mm (23.6" x 98.4") min. clamp width 1500mm (59")	400 mm x 1700 mm (15.7" x 66.9") min. clamp width 500mm (19.6")
Blade speed	15-75 M/min (50 to 250 fpm)		
Motor	Blade drive	5.5 kw (7.5 HP)	
	Hydraulic pump	2.2 kw (3 HP)	
	Coolant pump	0.6 kw (3/4 HP)	
	Auto chip conveyor (optional)	0.4 kw (1/2 HP) (optional)	
Blade size	8100 x 41 x 1.3 mm (318.8" x 1.6" x 0.05")	9900 x 41 x 1.3 mm (390" x 1.6" x 0.05")	8540 x 41 x 1.3 mm (336" x 1.6" x 0.05")
Shuttle vise stroke	400 mm (15.7") (optional)		
Saw frame feed	Hydraulic	Hydraulic	Servo motor
Saw frame shuttle stroke	1700 mm (66.9")	2700 mm (106.3")	1900 mm (74.8")
Table height	1350 mm (53")		
Machine weight	12500 kg (27500 lb)(SA)	17500 kg (38500 lb)(SA)	15500 kg (34200 lb)(SA)
	16500 kg (36300 lb) (HA)	21700 kg (47740 lb) (HA)	16500 kg (36300 lb) (HA)
Floor space without roller table (LxDxH)	3100 x 6400 x 3200 mm (SA) (122" x 251.9" x 126") (SA)	3100 x 8400 x 3200 mm (SA) (122" x 330.7" x 126") (SA)	3100 x 7100 x 3200 mm (SA) (122" x 279.5" x 126") (SA)
	3400 x 6400 x 3200 mm (HA) (133.8" x 251.9" x 126") (HA)	3400 x 8400 x 3200 mm (HA) (133.8" x 330.7" x 126") (HA)	3400 x 7100 x 3200 mm (HA) (133.8" x 279.5" x 126") (HA)

* All specifications, dimensions and design characteristics shown in this catalogue are subject to change without prior notice.



- Hydraulic controlled guide arm
 - **Shuttle vise (option)**
For carrying the material forward
 - **Clamping vise**
Strong and hydraulic clamping vise holds the workpiece firmly during cutting
- HA Type:**
NC Control provides 9 jobs for setting cut-length and quantity.
- SA Type:**
Manual setting for cutting length.

0417	V-0422
400 mm (15.7" x 67")	400 mm x 2200 mm (15.7" x 86.6")
700mm (27.5")	min. clamp width 1200mm (47.2")
	7.5 kw (10 HP)
32.6" x 1.6" x 0.05"	9950 x 54 x 1.6 mm (391.7" x 2" x 0.063")
Motor	Servomotor
(74.3")	2400 mm (94.4")
	1600 mm (63")
100 lb)(SA)	16500 kg (36300 lb)(SA)
800 lb) (HA)	17500 kg (38500 lb) (HA)
3300 mm (SA)	3100 x 8150 x 3700 mm (SA)
x 130") (SA)	(122" x 320.8" x 145.6") (SA)
3300 mm (HA)	3400 x 8150 x 3700 mm (HA)
x 130") (HA)	(133.8" x 320.8" x 145.6") (HA)

Automatic chip conveyor (option)
Moves chips away from the cutting area.

V-0615 V-0625
V-0417 V-0422

VERTICAL BLOCK / PL

Band Saw

VBS-1013-60



3

VBS-0710-60



Rigid Structure for Perfect Capacity.
Cuts the widest range of materials and dimensions.



→ Portable Control Box



SCALE STOPPER



The scale stopper can be quickly positioned and ensuring an accurate parallel to laser guide line. The laser lamp projection unit provides guide of cutting path and convenient width of cut setting.



ROLLER PACK

Position can be adjusted to meet sheet length variation for VBS Series

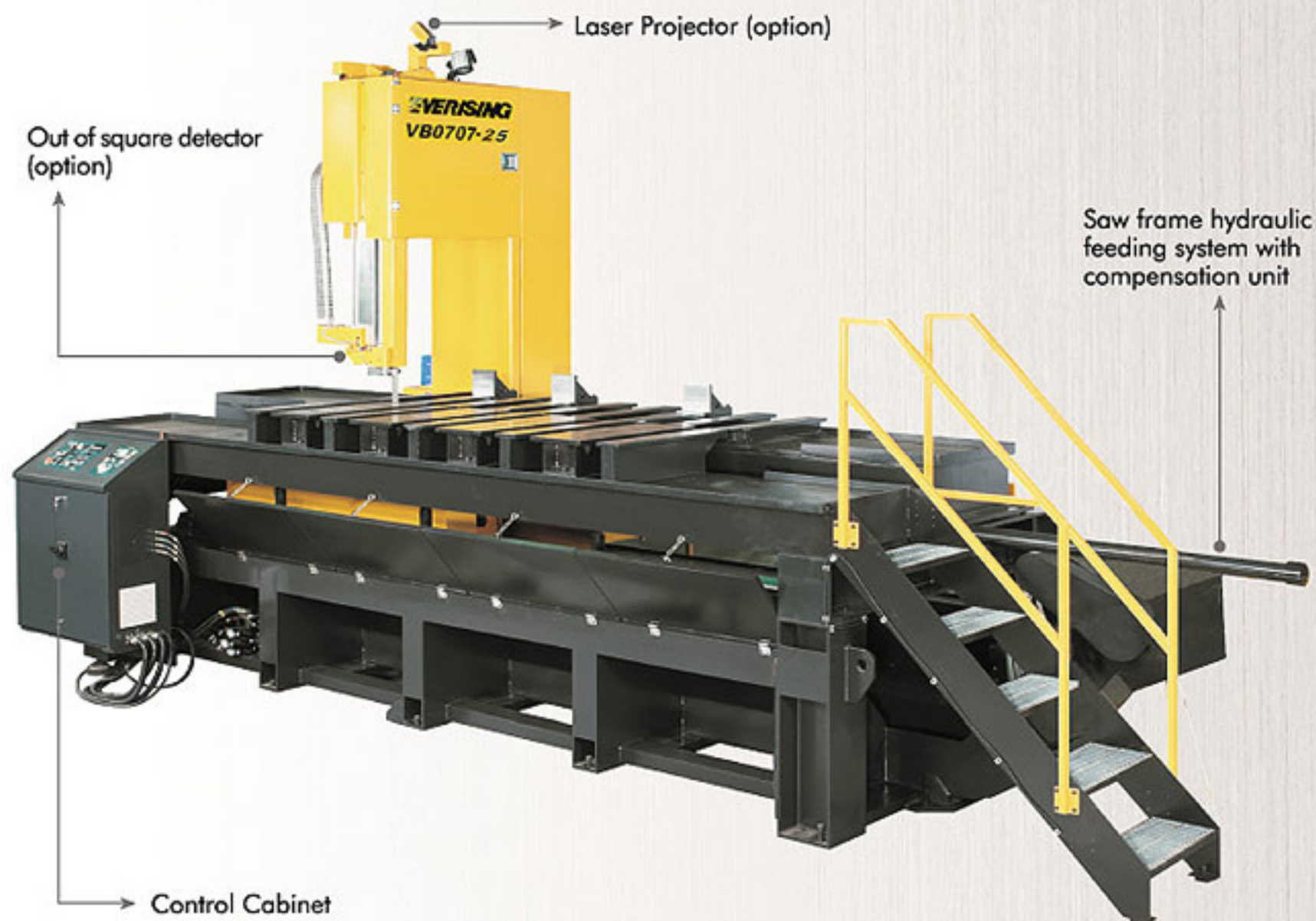
4

SAW HEAD MOVES ON PRECISION GUIDES

The support guide is close to the cutting path. This design ensures smooth and straight cutting. AC servo feeding.



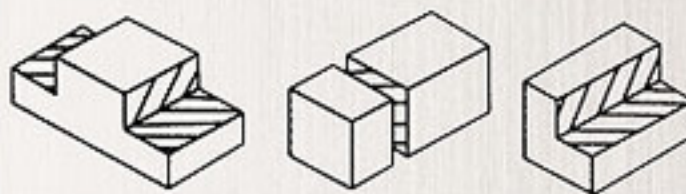
size block or plate cutting.



6

VBS-1013	VBS-1316	VBS-2016
1000 mm (H)	1300 mm (H)	2000 mm (H)
1300 mm (W)	1600 mm (W)	1600 mm (W)
3/4.5/6 M	3/4.5/6 M	3/4.5/6 M
1600 mm	2000 mm	2000 mm
1300 mm	1600 mm	1600 mm
8800x67x1.6 mm	10000x80x1.6 mm	11810x80x1.6 mm
15-75 M/min	15-75 M/min	15-75 M/min
1-300 mm/min	1-300 mm/min	1-300 mm/min
10	15	20
2 (2 SETS)	2 (2 SETS)	2 (2 SETS)
1	1	1
1.5 KW	2KW	2KW
1500 mm	1750 mm	1750 mm
10900L x 5300W mm (6M)	11500L x 5600W mm (6M)	8780L x 5910W mm (3M)
4600 mm	5400 mm	6730 mm
28000(6M) kg	35000(6M) kg	30000(3M) kg

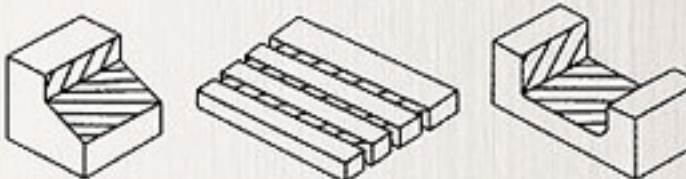
TYPICAL CUTTING EXAMPLES FOR LARGE WORKPIECES



Convex Cut

Large Square Surface Cut

Angle Cut



Chamfering Cut

Strip Cut

Concave Cut

VERTICAL BLOCK / PL

Band Saw

Compact design suitable for small-medium

VB 0405-15/25
VB 0707-15/25



Model	VB-040515/25	VB-070715/25	VBS-0407	VBS-0707	VBS-0710
Cutting height	400 mm (H)	700 mm (H)	400 mm (H)	700 mm (H)	700 mm (H)
Cutting depth	500 mm (W)	700 mm (W)	700 mm (W)	700 mm (W)	1000 mm (W)
Cutting length	1.5/2.5 M	1.5/2.5 M	4.5/6 M	4.5/6 M	4.5/6 M
Table support width	Outer table	700 mm	1600 mm	1600 mm	1600 mm
	Inner table	500 mm	700 mm	700 mm	1000 mm
Blade size	4670 x 41 x 1.3 mm	6800 x 54 x 1.6 mm	6200x54x1.6 mm	6800x54x1.6 mm	7140x54x1.6 mm
Blade speed	20-100 M/min	15-75 M/min	15-75 M/min	15-75 M/min	15-75 M/min
Cutting feed	Hydraulic	Hydraulic	2-500 mm/min	2-500 mm/min	2-500 mm/min
Motor (HP)	Blade drive	7.5	7.5	7.5	7.5
	Hydraulic pump	2	2	2 (2 SETS)	2 (2 SETS)
	Coolant pump	1/4	1/4	1	1
Feed servomotor	-	-	1 KW	1 KW	1 KW
Table height	1060 mm	1600 mm	1535 mm	1535 mm	1400 mm
Floor space	5700L x 2100W mm (2.5M)	7000L x 2550W mm (2.5M)	10100L x 4100W mm (6M)	10100L x 4100W mm (6M)	10300L x 4700W mm (6M)
Machine height	2500 mm	3750 mm	3400 mm	3950 mm	3700 mm
Machine weight (approx.)	6000/8000 kg	5500/8000 kg	14500(6M) kg	15000(6M) kg	19000(6M) kg

* All specifications, dimensions and design characteristics shown in this catalogue are subject to change without prior notice.



EVERISING MACHINE CO.

23, 8TH RD., TAICHUNG INDUSTRIAL
PARK TAICHUNG 407, TAIWAN.

TEL: +886-4-23505300 / 23593178

FAX: +886-4-23505420

E-mail: evrs@everising.com.tw

<http://www.everising.com>

V, VB, VBS Series

